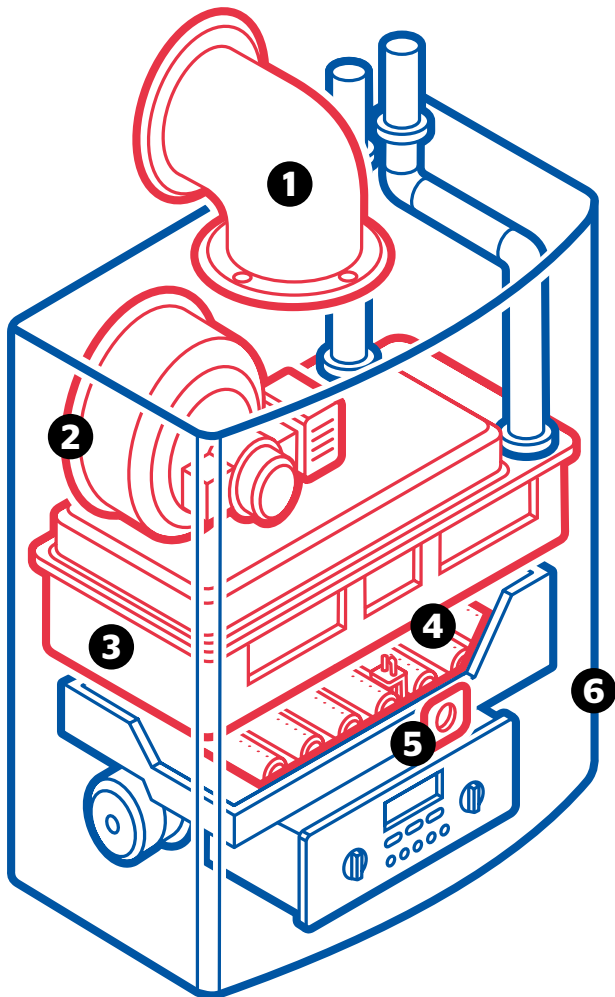


Boiler servicing

Below is a list of questions to ask your boiler servicing engineer

Make sure the engineer is Gas Safe registered. Someone who's been trained is likely to do a better job than someone working illegally. Ask what will be included in the boiler service and make a note. Watch the engineer and use our checklist to ensure that they cover the basics. A good boiler service should last at least 30 minutes. If it's shorter than this, ask why. Finally, ask for a written report and check it is accurately filled out. If you have any concerns, contact the Gas Safe Register.



There are many different boiler types. This is an illustration of a fan assisted room sealed boiler

- ❶ Flue elbow
- ❷ Fan
- ❸ Heat exchanger
- ❹ Burner
- ❺ Flame viewing window
- ❻ Boiler casing

A good boiler service should include:

- A visual check of the boiler and flame, if possible
- Checks on the flue (externally and internally)
- Checking the operating pressure and / or heat input
- Checking safety devices
- Check case seals form an effective seal
- Boiler casing removed to check all main boiler components (burner, heat exchanger, main injector, spark / sensor probe)
- Boiler fired safely to identify any working faults
- Boiler parts cleaned, if necessary
- A service report showing everything the engineer has done